

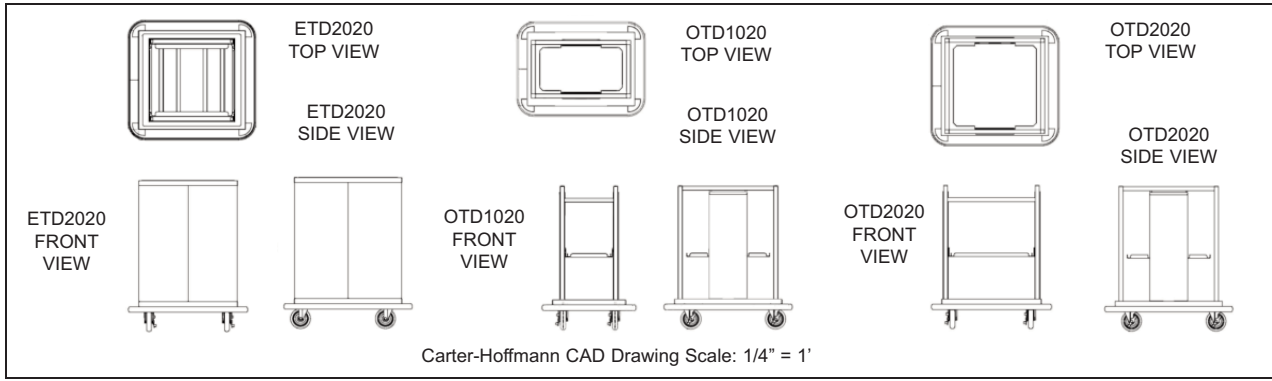


# GLASS RACK DISPENSERS

## Mobile Dispenser Carts

### Open and Enclosed Styles

CARTER-HOFFMANN  
**11**  
 FOOD SERVICE EQUIPMENT  
 GLASS RACK DISPENSERS



Model Number	Glass Rack Size		Description	Overall Dimensions			Caster Diameter		Shipping Weight				
	in	mm		Height in mm	Depth in mm	Width in mm	in	mm	lbs	kg			
<input type="checkbox"/> ETD2020	20 x 20	508 x 508	Enclosed single stack	38 <sup>1</sup> / <sub>8</sub>	968	25	635	27	686	5	127	182	83
<input type="checkbox"/> OTD1020	10 x 20	254 x 508	Open single stack	36 <sup>1</sup> / <sub>4</sub>	921	18 <sup>3</sup> / <sub>8</sub>	467	27	686	5	127	100	46
<input type="checkbox"/> OTD2020	20 x 20	508 x 508	Open single stack	36 <sup>1</sup> / <sub>4</sub>	921	25	635	27	686	5	127	140	64

**CONSTRUCTION: ENCLOSED DISPENSERS...** Completely welded cabinet construction with outer cabinet formed and welded to base. Built-in stainless tray platform. All stainless steel construction with polished exterior.

**CONSTRUCTION: OPEN DISPENSERS...** High strength stainless steel tubular frame with solid stainless steel bottom and tray platform.

**BASE FRAME...** 12 gauge stainless steel full depth caster bolsters with 1" x 1" 14 gauge stainless steel channels welded to bolsters.

**CASTERS...** 5" diameter, all swivel ball bearing type casters, plate mounted and bolted to frame. Two casters fitted with brakes. Wheel-ahead caster pattern.

**STYLING...** All stainless steel with red custom colored matching casters and bumper vinyl.

**DISPENSER PLATFORM...** Field adjustable springs to accommodate differences in tray weights and heights. Number of connected springs can be increased or decreased to change the platform tension release tension in 2.5 oz/in. Disconnected springs remain in place and out of the way. All stainless steel platform.

**OPTIONS AND ACCESSORIES...**

- Wrap-around extruded aluminum bumper with non-marking vinyl insert; specify red or grey
- Four soft durometer cushioned corner bumpers

# SPECIFICATIONS

Specifications subject to change through product improvement & innovation.



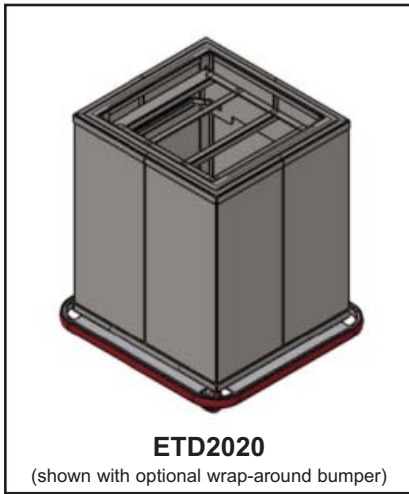
**CARTER-HOFFMANN**  
 1551 McCormick Ave., Mundelein, IL 60060  
 (847) 362-5500 • (800) 323-9793 • Fax (847) 367-8981  
[www.carter-hoffmann.com](http://www.carter-hoffmann.com)

Printed in U.S.A. GLASS RCK 0116  
 Carter-Hoffmann is a trademark  
 of Carter-Hoffmann, LLC

# FEATURES & BENEFITS

## GLASS RACK DISPENSERS

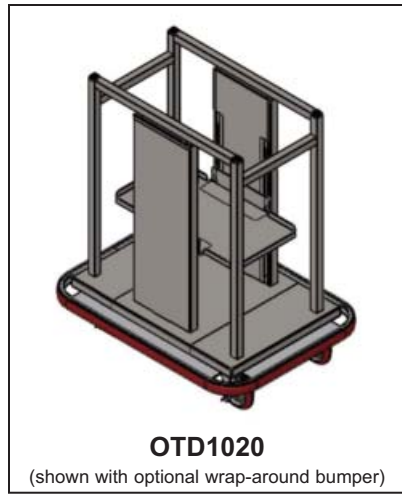
*Since 1947, foodservice equipment that delivers!*



**ETD2020**

(shown with optional wrap-around bumper)

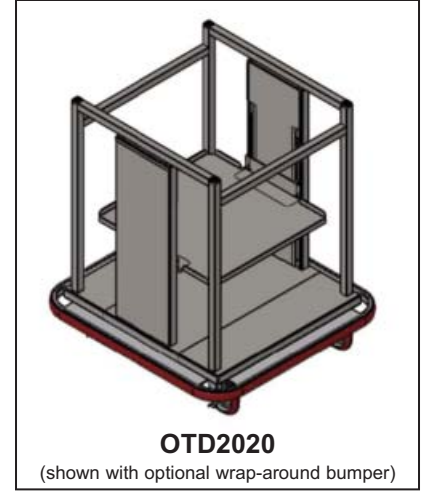
**ETD: COMPLETELY WELDED TURNED-IN SEAM CONSTRUCTION...** All stainless steel construction. Adds rigidity to entire cabinet for maximum durability and reliable performance, and eliminates raw edges for easy cleaning and safety. Sleek exterior styling is easy to clean.



**OTD1020**

(shown with optional wrap-around bumper)

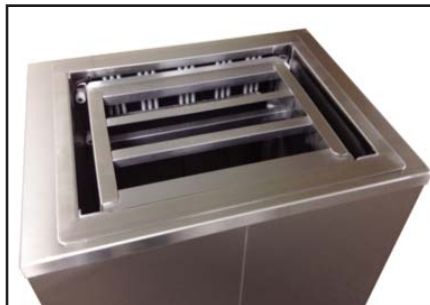
**OTD: ALL STAINLESS STEEL TUBULAR FRAME...** Heavy-duty stainless steel frame with stainless steel bottom and tray platform.



**OTD2020**

(shown with optional wrap-around bumper)

**RUBBER TREAD CASTERS WITH SEALED ROLLER BEARING...** Long lasting, easy rolling for maximum load and minimum maintenance. All swivel casters fitted with brakes.



**ADJUSTABLE TRAY PLATFORM...**Field adjustable springs to accommodate differences in tray weights and heights. Number of connected springs can be increased or decreased to change the platform tension.



1551 McCormick Avenue, Mundelein, Illinois 60060  
Tel. (847)362-5500 • (800)323-9793 • Fax (847)367-8981  
[www.carter-hoffmann.com](http://www.carter-hoffmann.com)

