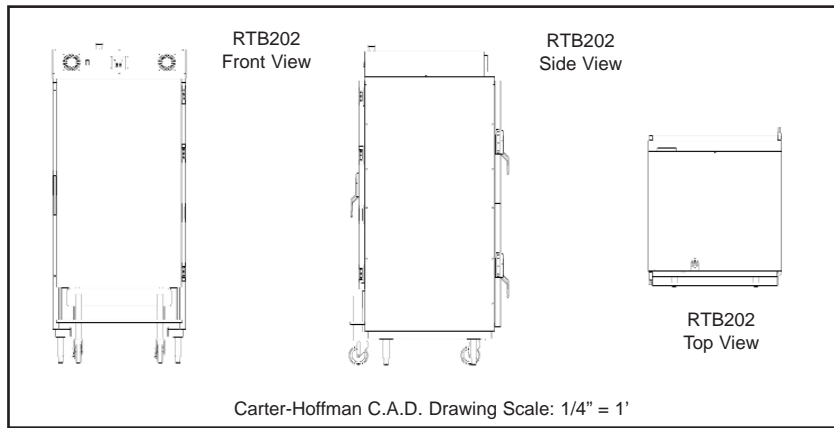




RTB202 SERIES HEATED HOLDING CABINET FOR BLODGETT & HOUNO OVEN RACKS



Model Number	Accommodates Roll-in Rack Model*	Inside Working Dimensions						Overall Dimensions						Casters or Legs in (mm)	Shipping Weight	
		Height		Depth		Width		Height		Depth		Width			lbs	kg
		in	mm	in	mm	in	mm	in	mm	in	mm	in	mm			
<input type="checkbox"/> RTB202S	Blodgett TC-14,TC-10,TC-20 Houno C202	60	1524	32	813	29	737	84	2134	37 ³ / ₄	959	35 ¹ / ₂	914	5 (127) casters	450	204
<input type="checkbox"/> RTB202M	Blodgett TC-14,TC-10,TC-20 Houno C202	60	1524	32	813	29	737	84	2134	37 ³ / ₄	959	35 ¹ / ₂	914	6 (152) legs	450	204

*Racks not supplied by Carter-Hoffmann. Contact Blodgett or Houno for information on racks.

CONSTRUCTION... Completely welded cabinet construction with outer cabinet formed to base and welded. All seams turned in to eliminate raw edges.

CABINET MATERIAL... All stainless steel; 20 gauge polished exterior and 20 gauge interior.

BASE FRAME... 14 gauge stainless steel perimeter supports with 12 gauge caster/leg supports.

INSULATION... High density fiberglass, full 2" thick continuous wrap-around type in top, bottom and sides.

DOORS... Double wall stainless steel construction. 20 gauge interior and exterior with fiberglass insulation. Dutch doors with gasketless design. Pass-through for easy access from either side of cabinet. Rack loads on operator's side only.

HINGES... Adjustable self-closing edgemount hinges with chrome plate finish.

LEGS/CASTERS... RTB202S is fitted with 6" stainless steel adjustable legs. RTB202M is fitted with two rigid and two swivel with brake, 5" heavy duty casters with rubber tread.

LATCHES... Heavy-duty edgemount latch with magnetic catch.

CONTROLLER... solid state electronic temperature controller with digital display and low temperature alarm. On/off switch and power indicating light.

HEATING SYSTEM... Lift off, top mounted heater. Inconel-sheathed heating elements. Two high impedance protected, internally cooled fan motors. Removable, precision engineered and balanced interior heat duct system.

ELECTRICAL CHARACTERISTICS... Operates on 208 volts, 16 amps, 3000 watts, 60 hz, single phase. NEMA 6-20P plug.

PERFORMANCE... Capable of heating to 200°F. (94°C). Preheat to 160°F. (71°C.) in approximately 20 minutes.

Note: Most areas do not require ventilation. Check with local vent hood codes.

NOTE: Rack not sold by Carter-Hoffmann. Contact Blodgett or Houno. Cabinet with rack in place increases overall depth to 38.25" on standard cabinet and 42.375" on pass-through cabinet.

SPECIFICATIONS

Specifications subject to change through product improvement & innovation.

CARTER-HOFFMANN
1551 McCormick Ave., Mundelein, IL 60060
(847) 362-5500 • (800) 323-9793 • Fax (847) 367-8981
www.carter-hoffmann.com

FEATURES & BENEFITS

1551 McCormick Avenue, Mundelein, Illinois 60060
Tel. (847)362-5500 • (800)323-9793 • Fax (847)367-8981
www.carter-hoffmann.com



RTB202 SERIES HEATED HOLDING CABINETS FOR BLODGETT & HOUNO OVEN RACKS

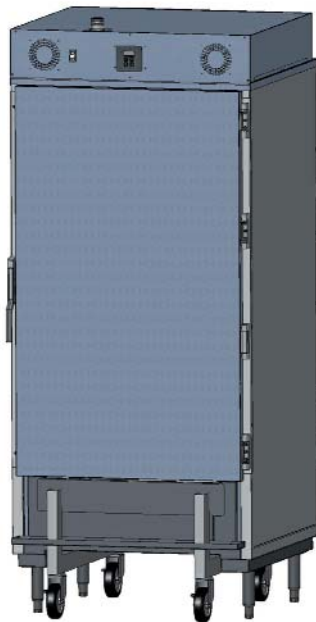
Since 1947, Foodservice Equipment That Delivers!

HIGH PERFORMANCE BLOWER HEATING SYSTEM...

Powerful blower system with precision ducting assures consistent temperatures throughout the cabinet.

PRECISION ENGINEERED DUAL HEAT DUCT SYSTEM...

Even and efficient heating throughout the entire cabinet assures uniform temperatures for safe and consistent heating of product.



SOLID STATE ELECTRONIC CONTROLLER... Ensures reliable and consistent cabinet temperature for safe food holding. Digital display for accurate temperature monitoring.

STAINLESS STEEL CONSTRUCTION... All welded stainless steel interior and exterior for easy sanitation and long lasting clean appearance.

EASY GRIP DOOR HANDLES WITH MAGNETIC CATCH... Ergonomically designed for easy opening. Keeps door positively closed for optimal cabinet performance.



EASY MEAL LOADING SYSTEM... Roll the rack into the holding cabinet, remove the handle and then close the door. Cabinet will maintain serve safe temperatures until serving time. **RACK NOT INCLUDED.**