



# ECONOMY SERIES ENCLOSED MOBILE TRAY CARTS

Two Door for 14"x18", 15"x20", 12"x19", 12"x20", and Room Service Trays

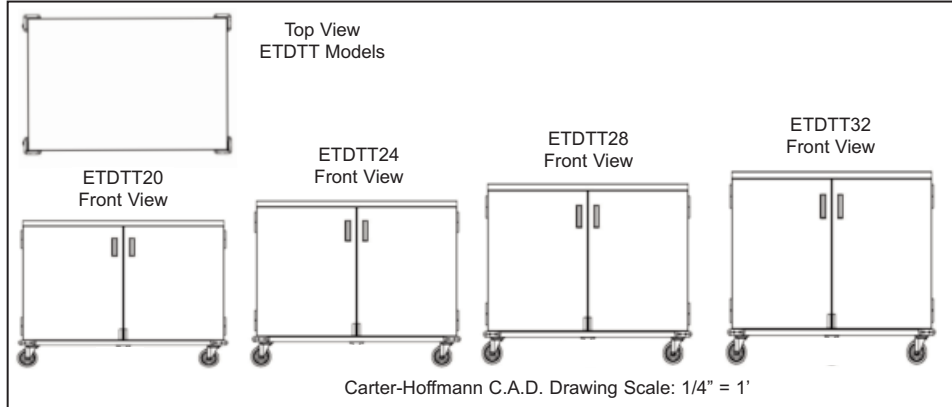
CARTER-HOFFMANN



FOOD SERVICE EQUIPMENT  
ENCLOSED MOBILE TRAY CARTS

# SPECIFICATIONS

Printed in U.S.A. ETD 0316  
Carter-Hoffmann is a trademark  
of Carter-Hoffmann, LLC



Model Number	Tray Capacity 5.25" Standard Spacing 2 trays/slide; side-loaded	Inside Working Height		Overall Dimensions						Caster Diameter		Shipping Weight	
				Height		Depth		Width					
				in	mm	in	mm	in	mm				
<input type="checkbox"/> ETDTT20	20	28 <sup>3</sup> / <sub>4</sub>	730	38 <sup>7</sup> / <sub>8</sub>	987	35 <sup>1</sup> / <sub>2</sub>	902	48 <sup>1</sup> / <sub>2</sub>	1232	5	127	525	238
<input type="checkbox"/> ETDTT24	24	34 <sup>1</sup> / <sub>2</sub>	876	45 <sup>1</sup> / <sub>8</sub>	1146	35 <sup>1</sup> / <sub>2</sub>	902	48 <sup>1</sup> / <sub>2</sub>	1232	5	127	545	247
<input type="checkbox"/> ETDTT28	28	40 <sup>3</sup> / <sub>4</sub>	1022	50 <sup>3</sup> / <sub>8</sub>	1280	35 <sup>1</sup> / <sub>2</sub>	902	48 <sup>1</sup> / <sub>2</sub>	1232	5	127	565	256
<input type="checkbox"/> ETDTT32	32	46	1168	55 <sup>5</sup> / <sub>8</sub>	1413	35 <sup>1</sup> / <sub>2</sub>	902	48 <sup>1</sup> / <sub>2</sub>	1232	5	127	585	265

**CONSTRUCTION...** Completely welded cabinet construction. All seams turned in to eliminate raw edges.

**CABINET MATERIAL...** Nickel-bearing type 300 series stainless steel; 18 gauge polished exterior walls.

**BASE FRAME...** 12 gauge stainless steel full depth bolsters with 1" x 1" stainless steel perimeter channel supports.

**CASTERS...** 5" Performa rubber casters. Sealed roller bearing and double ball bearing swivel with Zerk grease fittings. Plate mounted and bolted to base in offset wheel ahead pattern. Two swivel with brakes and two rigid.

**BUMPER...** Soft durometer cushioned corner bumpers, bolted to all 4 corners.

**DOOR...** Double panel welded stainless steel doors. Each has two pin hinges bolted to cabinet. Cavity filled with 1" thick high density fiberglass insulation. Heavy-duty plastic finger grips with magnetic closure. 270 degree door swing with magnet to hold doors open when in service. Transport latches.

**HINGES...** Concealed, 12 gauge all stainless steel hinges with 3/8" pin.

**PUSH HANDLE...** 1" diameter tubular stainless steel handle mounted is on the swivel end; extends the full depth of the cabinet.

**TRAY RACK ASSEMBLIES...** Adjustable pin positions; assemblies are removable without tools and constructed of 18 gauge stainless steel. Tray slides with standard spacing on 5.25" centers. Adjustable at 1.75" increments.

**ACCESSORIES/OPTIONS...**

- Pass-through
- Two floor drains with plug and tether
- 3- or 4-sided top rail
- Alternate caster sizes and types
- 2 or 3 thermal airpots with rack
- Mini-Dome chillable condiment bin
- Condiment organizer
- Menu card holder (specify 8.5"x11" or 5"x7")
- Dry erase board
- Anti-slip mat for top of cart
- Six caster configuration

Specifications subject to change through product improvement & innovation.

**CARTER-HOFFMANN**

1551 McCormick Ave., Mundelein, IL 60060  
(847) 362-5500 • (800) 323-9793 • Fax (847) 367-8981  
[www.carter-hoffmann.com](http://www.carter-hoffmann.com)



# FEATURES & BENEFITS

1551 McCormick Avenue, Mundelein, Illinois 60060  
Tel. (847) 362-5500 • (800) 323-9793 • Fax (847) 367-8981  
[www.carter-hoffmann.com](http://www.carter-hoffmann.com)



**TRAY RACKS...** with adjustable pin positions to accommodate a variety of tray sizes. Tray spacing is adjustable on 1.75" centers. Standard spacing is 5.25".



**ETD TT24**  
(shown without transport latches)

**STAINLESS STEEL HINGES...** Heavy-duty, 12 gauge hinges with 3/8" diameter pin for trouble-free door operation. 270 degree door swing.

**HEAVY-DUTY PERFORMA CASTERS...** 5" diameter industrial grade casters with non-marking red rubber cushioned tread. Rust resistant Delrin bearings with all axles and raceways equipped with Zerk grease fittings. Long lasting and easy rolling, yet durable enough to withstand rigorous cart wash programs. Two fixed and two swivel casters with brakes for easy maneuvering.

**WHEEL-AHEAD CASTER CONFIGURATION...** Mounted to base in offset wheel-ahead pattern for easy rolling over uneven surfaces. Allow for easy handling and steering.

**CORNER BUMPERS...** Soft durometer cushioned bumpers. Protect cart and contents from impacts; protects doorways and walls from damage.



**ALL STAINLESS STEEL CONSTRUCTION...** corrosion-resistant 300 series stainless steel; easy to clean and structurally sound for long life. 1" stainless steel full length tubular push handle mounted to end of cabinet.

**DOUBLE PANEL DOOR...** Insulated, flush mounted door with finger grip and stainless steel hinges. 270 degree door swing with magnetic closure and door-open feature. Transport latches for secure closure.

