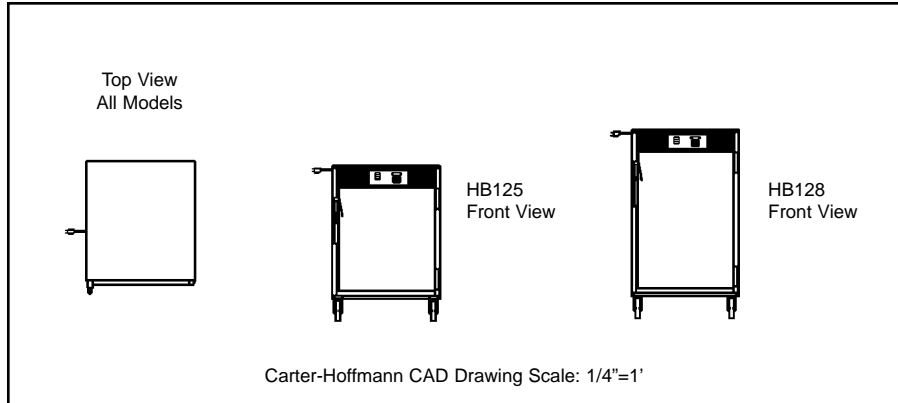




Logic8 Series hotLOGIC HEATED HOLDING CABINETS (with forced air heating system) for 12" x 20" pans

CARTER-HOFFMANN
HEATED HOLDING CABINETS
FOOD SERVICE EQUIPMENT



Model Number	Pan Capacity*	Inside Working Height		Overall Dimensions						Caster Diameter		Shipping Weight	
		in	mm	in	mm	in	mm	in	mm	in	mm	lbs	kgs
<input type="checkbox"/> HB125	5	15 ³ / ₄	400	30 ⁵ / ₈	778	24 ³ / ₄	629	18 ³ / ₈	467	5	127	152	69
<input type="checkbox"/> HB128	8	24	610	38 ⁷ / ₈	987	24 ³ / ₄	629	18 ³ / ₈	467	5	127	210	95

*Capacity shown for 2 1/2" deep pans.

CONSTRUCTION... Completely welded cabinet construction with outer cabinet welded to cabinet liner and bolted to base.

CABINET MATERIAL... All stainless steel construction; 20 gauge polished exterior and 24 gauge interior.

BASE FRAME... 16 gauge stainless steel with all sides turned down for rigidity.

CASTERS... 5" diameter heavy-duty casters with rubber tread. Double ball bearing swivel. Zerk grease fittings. Plate mounted and bolted to base. Two casters fitted with brakes.

INSULATION... High density fiberglass, full 1" thick continuous wrap-around type in top, bottom and sides.

DOORS... Double panel stainless steel; 20 gauge polished exterior and 24 gauge interior. Filled with 1" thick high density fiberglass insulation. Field reversible door swing and gasketless design.

HINGES... Adjustable edgemount hinges with chrome plate finish.

LATCH... Heavy-duty edgemount latch with magnetic catch.

TRAY RACK ASSEMBLIES... Removable 16 gauge stainless steel tray racks with 18 gauge stainless steel channel slides. Channel slides welded to rack assemblies and spaced on 2 3/4" centers.

CONTROLS... Solid state electronic temperature controller with digital temperature display and temperature alarm. On/off switch and power indicating light.

LOW TEMPERATURE ALARM... Equipped with audible low temperature alarm. Factory pre-set at 150°F (66°C). Adjustable range of 110°F (43°C) to 150°F (66°C).

HEATING SYSTEM... HB125 and HB128: Forced air heating system. Incoloy-sheathed heating element, fan motor, solid state temperature controller, digital temperature display and on/off switch with power indicating light.

ELECTRICAL CHARACTERISTICS... HB125 & HB128 operate on 120 volts, 60 cycle, single phase, 1000 watts, 8.3 amps. Six foot 3 wire rubber cord with 3 prong grounding plug. NEMA 5-15P.

PERFORMANCE... Capable of heating to 200° F (94° C). Preheat to 160° F (71° C) in approximately 20 minutes.

ACCESSORIES/OPTIONS...

- Stacking kit
- Pass-through doors
- Glass doors
- 3" casters
- 4" legs in lieu of casters
- Alternate electrical configurations

SPECIFICATIONS

Specifications subject to change through product improvement & innovation.



CARTER-HOFFMANN
1551 McCormick Ave., Mundelein, IL 60060
(847) 362-5500 • (800) 323-9793 • Fax (847) 367-8981
www.carter-hoffmann.com



Printed in U.S.A. E26 0209
Carter-Hoffmann is a trademark
of Carter-Hoffmann LLC

FEATURES & BENEFITS

1551 McCormick Avenue, Mundelein, Illinois 60060
Tel. (847)362-5500 • (800)323-9793 • Fax (847)367-8981
www.carter-hoffmann.com



HIGH PERFORMANCE CONVECTION HEATER...

Heating system located in top of cabinet with blower for quick heat up and recovery and even heat distribution throughout the cabinet.

STAINLESS STEEL CONSTRUCTION...

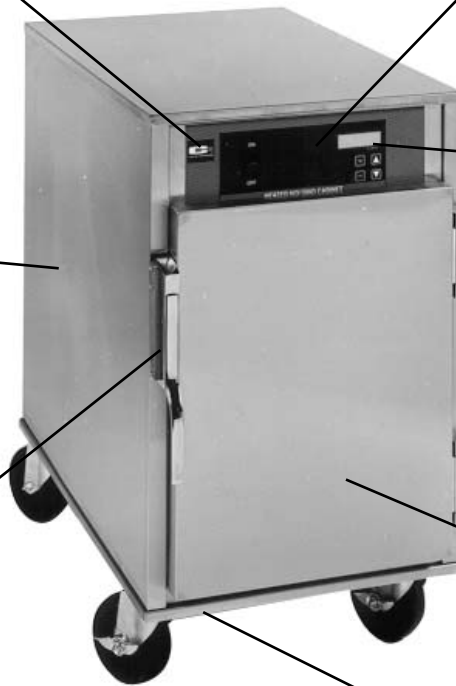
All stainless steel interior and exterior for easy sanitation and long lasting appearance.

GASKETLESS DOOR DESIGN WITH EASY GRIP HANDLE...

Ergonomically designed for easy opening. Magnetic catch keeps door positively closed for maximum cabinet temperature maintenance. Gasketless design reduces maintenance.

Logic8 Series hotLOGIC HEATED HOLDING CABINETS

Since 1947, Foodservice Equipment That Delivers!



HB125

SOLID STATE ELECTRONIC CONTROLLER...

Ensures reliable and consistent cabinet temperature for safe food holding. Digital display for accurate temperature monitoring.

LOW TEMPERATURE SAFETY ALARM...

Alarm alerts the operator if the cabinet temperature drops below a designated level, promoting food safety.

HEAVY-DUTY DOOR HINGES...

Long lasting and durable for frequent opening and closing of doors.

HIGH DENSITY FIBERGLASS INSULATION...

Insulation in cabinet sides, top, bottom, and door for maximum heat retention and efficiency.

STAINLESS STEEL CASTER BASE...

Durable & mobile, for cabinet versatility.

REMOVABLE STAINLESS STEEL TRAY RACKS...

Makes routine cleaning simple and quick.



ANSI/NSF 4