



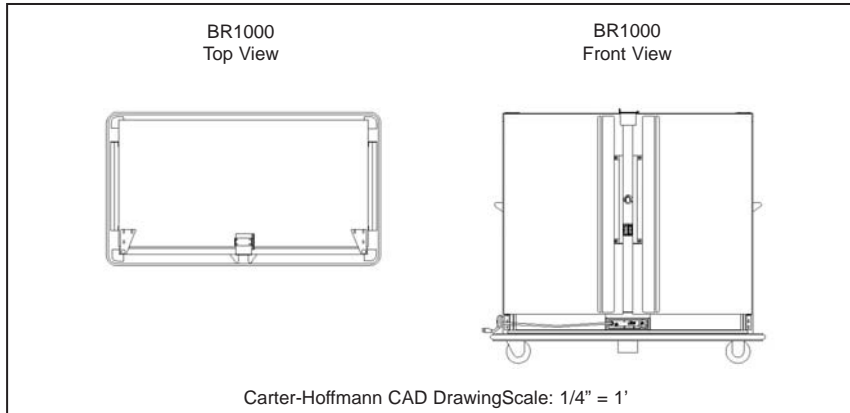
BR1000

ENDURAHEAT™ BANQUET CARTER

Heat Retention Carts For Preplated Banquet Meals

Large Plate Diameter up to 12 3/4"

CARTER-HOFFMANN
11
BANQUET CARTS
FOOD SERVICE EQUIPMENT



Model Number	Plate Capacity*		Number of Shelves	Clearance Between Shelves		Shelf Size		Overall Dimensions			Caster Diameter		Shipping Weight				
	plate/covers dia			in	mm	in	mm	Height	Depth	Width	in	mm	lbs	kgs			
BR1000	8 ³ / ₄ -11"	11 ¹ / ₈ -12 ³ / ₄ "	3	14 ⁵ / ₁₆	364	27 ⁵ / ₈ x59	702x1499	63 ³ / ₈	1610	37 ⁷ / ₈	962	69 ³ / ₈	1762	6	152	608	276

*Capacity depends on stacking height of plates and covers (see "Clearance Between Shelves"). Maximum diameter includes cover. Due to the wide variety of plate thicknesses and depths, as well as plate cover heights, actual capacity may vary.

CONSTRUCTION... Completely welded double wall cabinet construction with outer cabinet formed and welded to base. All seams turned in to eliminate raw edges.

CABINET MATERIAL... All stainless steel construction; polished exterior.

BASE FRAME... 12 gauge stainless steel full depth caster bolsters with 16 gauge stainless steel square tubing welded to bolsters.

CASTERS... 6" diameter, industrial grade balloon casters. Sealed roller axle bearing and double ball bearing swivel. Zerk grease fittings. Plate mounted and bolted to base in offset "wheel ahead" pattern. Two casters fitted with brakes.

BUMPER... Non-marking gray vinyl bumper set in heavy-duty 3/16" thick extruded aluminum frame with reinforced corner cutouts. Reinforced with 12 gauge angle bracket welded to cart and bolted through bumper.

INSULATION... 2" thick high density continuous wrap-around type fiberglass insulation.

GASKET... High temperature silicone gasket mounted to cabinet.

DOORS... Welded double panel pocket style stainless steel door. 20 gauge polished exterior and 20 gauge interior. Filled with 1 1/2" thick high-density fiberglass insulation. "No Canned Fuel" decal.

HINGES... 16 gauge stainless steel full length 1" tubular hinge, mounted with 12 gauge stainless steel brackets and 16 gauge backup plates, with five 5/16-18 bolts and brass bushings.

PUSH HANDLES... Two 1" gauge diameter stainless steel tubular handles bolted to cabinet with backup plates.

DOOR HANDLES & ROLLER LATCHES... Two 1" diameter stainless steel door handles mounted with backup plates. Roller latches with stainless steel strike plates.

TRANSPORT LATCH... Stainless steel top mounted transport latch with padlock provision; flips down to secure both doors.

SHELVES... Welded, double nickel-plated removable wire shelves.

THERMOMETER... Dial type with remote sensing bulb and sensing bulb protector. Mounted to center mullion.

HEATING SYSTEM... Bottom mounted heater. Stainless steel construction with black anodized exterior. Removable without tools. 1900 watt inconel-sheathed heating element. High impedance protected, internally cooled fan motor. Patented solid to solid phase change heat retention material. Toggle switch for convection mode, EnduraHeat mode or OFF setting. Full range thermostat and power indicating lights for convection heat mode and EnduraHeat mode. Enduraheat charge ready light.

ELECTRICAL CHARACTERISTICS... Operates on 120 volts, 60 cycle, single phase, 1950 watts, 15.3 amps. Ten foot power cord with 3 prong grounding plug. NEMA 5-20P.

PERFORMANCE... Capable of heating to 200° F (94° C). Preheat to 160° F (71° C) in approximately 30 minutes. EnduraHeat charge time in approximately one hour.

ACCESSORIES/OPTIONS...

- Lift-up pull handle
- Alternate caster sizes & types
- Alternate electrical configurations
- Menu card holder (5"x7" or 8.5"x11")
- Donut style door bumpers
- Swivel-lock casters
- 4 wheel brakes

SPECIFICATIONS

Printed in U.S.A. B08 1110
Carter-Hoffmann is a trademark of Carter-Hoffmann LLC.

US Patent Nos.
7,102,103 B2
& 7,394,042 B2



CARTER-HOFFMANN
1551 McCormick Ave., Mundelein, IL 60060
(847) 362-5500 • (800) 323-9793 • Fax (847) 367-8981
www.carter-hoffmann.com

Specifications subject to change through product improvement & innovation.

FEATURES & BENEFITS

1551 McCormick Avenue, Mundelein, Illinois 60060
Tel. (847)362-5500 • (800)323-9793 • Fax (847)367-8981
www.carter-hoffmann.com



BR1000 ENDURAHEAT™ BANQUET CARTER

Since 1947, Foodservice Equipment That Delivers!

DOUBLE WALL STAINLESS STEEL CABINET... Strongest, most durable materials for long life. High density 2" thick fiberglass in walls, top, floor and doors for maximum heat retention.

HEAVY-DUTY STAINLESS STEEL BASE FRAME... 12 gauge caster bolsters with perimeter frame for rugged use and added durability.

NON-MARKING BUMPER SET IN HEAVY-DUTY 3/16" THICK EXTRUDED ALUMINUM FRAME... Protects doorways, walls and cart from damage. Reinforced with 12 gauge angle bracket for added strength.



PUSH HANDLES... 1" Tubular stainless steel mounted to cabinet with backup plates. Designed for comfort grip and easy steering.



HEAVY-DUTY 1" STAINLESS STEEL TUBULAR HINGE... Full length eliminates torque on top hinge. Mounted with 1" bushing and 12 gauge stainless steel mounting bracket. Keeps doors properly aligned and withstands rugged use.



BR1000

HIGH PERFORMANCE HEATER... Blower system for fast heat up, recovery and even heat distribution throughout cabinet. One hour EnduraHeat charge/preheat time. 20 minute preheat in convection mode. Toggle switch to select convected heat or EnduraHeat with indicator lights and EnduraHeat ready light. Simple dial controls for setting temperature. Removable without tools for easy cleaning.

COMPLETELY WELDED TURNED-IN SEAM CONSTRUCTION... Adds rigidity to entire cabinet and eliminates raw edges for ease of cleaning and safety.

WELDED, DOUBLE NICKEL-PLATED REMOVABLE WIRE SHELVES WITH REINFORCED SHELF CLIPS... Wires run from front to back for easier plate loading and unloading.

BALLOON TREAD CASTERS WITH SEALED ROLLER BEARING... Long lasting and easy rolling for maximum load and minimum maintenance. Mounted to base in offset wheel-ahead pattern for easy rolling.



ERGONOMIC DOOR HANDLES WITH ROLLER LATCH... Stainless steel tubular handle for comfortable grip. Mounted with backup plates for added durability. Roller latch design has been a proven performer for over 10 years.

