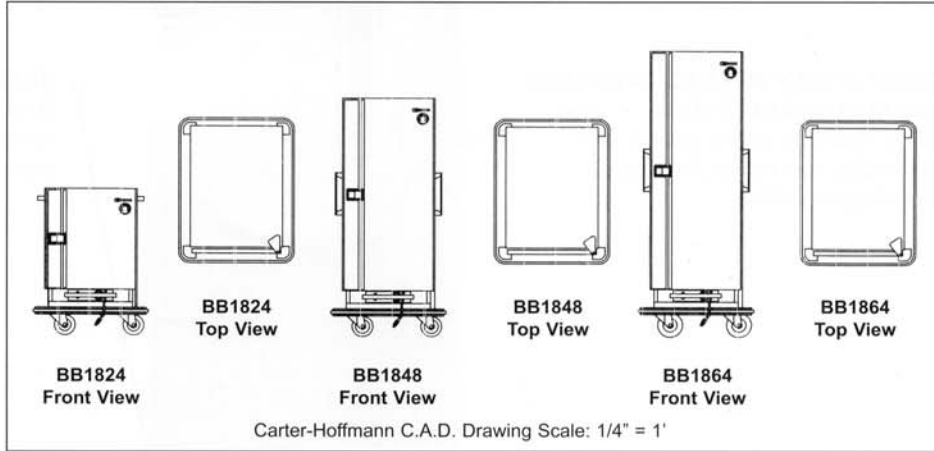




# BB1824, BB1848 & BB1864 CONVERTIBLE BANQUET CARTERS

For Preplated Banquet Meals, Trays and Pans



Model Number	Capacity*			Number of Shelves	Clearance Between Shelves		Overall Dimensions						Caster Diameter		Shipping Weight	
	Plates covered only 8 1/4"-11"	Trays 18"x26"	Pans 12"x20"		in	mm	Height in	mm	Depth in	mm	Width in	mm	in	mm	lbs	kgs
BB1824	24	6	12	2	9 1/2	241	36	914	36	914	30 3/8	778	5	127	250	114
BB1848	48	10	20	3	12 1/2	318	58	1473	36	914	30 3/8	778	5	127	315	143
BB1864	64	12	24	4	12 1/2	318	71	1803	36	914	30 3/8	778	6	152	370	168

\*Tray slides accommodate wire plate shelves, pans and trays for combination use. Tray slides are adjustable in 1 3/4" increments. Plate capacity depends on stacking height of plates and covers (see "Clearance Between Shelves"). Maximum diameter includes cover. Also accommodates 2/1 and 1/1 Gastronorm pans.

**CONSTRUCTION...** Completely welded cabinet construction with outer cabinet formed and welded to base. All seams turned in to eliminate raw edges.

**CABINET MATERIAL...** Nickel-bearing type 300 series stainless steel; 20 gauge polished exterior wall and 24 gauge interior.

**BASE FRAME...** 12 gauge stainless steel full depth caster bolsters with 14 gauge stainless steel channels welded to bolsters.

**CASTERS...** Industrial grade casters with polyurethane tread. 6" diameter casters have sealed roller axle bearing and double ball bearing swivel. Zerk grease fittings. 5" diameter casters have sealed delrin bearing and double ball bearing swivel. All casters plate mounted and bolted to base in offset "wheel ahead" pattern. Two casters fitted with brakes.

**BUMPER...** Non-marking gray vinyl bumper set in heavy-duty 3/16" thick extruded aluminum frame with reinforced corner cutouts.

**INSULATION...** 1" thick high density, continuous wrap-around type fiberglass insulation.

**DOOR...** Welded double panel stainless steel door. 20 gauge polished exterior and 24 gauge interior. Cavity filled with 1" thick high-density fiberglass insulation.

**HINGES...** Concealed stainless steel hinges with 5/16" pin.

**GASKETS...** High temperature silicone gasket mounted to cabinet.

**LATCHES...** Flush mounted heavy duty sliding latch with exclusive grip handle.

**PUSH HANDLES...** Two 1" diameter vertical stainless steel tubular handles. Horizontal handles on BB1824.

**SHELVES...** Welded chrome plated removable wire shelves.

**PAN/TRAY RACK ASSEMBLIES...** Removable 16 gauge stainless steel tray rack assemblies. Removable wire universal slides. Slides fully adjustable at 1 3/4" centers. Standard spacing at 3 1/2" centers.

**THERMOMETER...** Dial type with remote sensing bulb and sensing bulb protector.

**HEATING SYSTEM...** Bottom mounted heater. Stainless steel construction. Removable without tools. 1600 watt inonel-sheathed heating element. High impedance protected, internally cooled fan motor. Full range thermostat and power indicating light.

**ELECTRICAL CHARACTERISTICS...** Operators on 120 volts, 60 cycle, single phase, 1650 watts, 13.7 amps. Ten foot rubber cord with 3 prong grounding plug. NEMA 5-15P.

**PERFORMANCE...** Capable of heating to 200° F (94° C). Preheat to 160° F (71° C) in approximately 25 minutes.

**ACCESSORIES/OPTIONS...**

- Canned Heat Holders
- Top Mounted Transport Latch
- Locking Paddle Latch
- Menu Card Holder
- Lexan Thermometer Cover
- 4 Wheel Brakes
- Alternate Wheel Sizes and Tread Types
- Alternate Electrical Configurations
- Humidity Pan

Specifications subject to change through product improvement & innovation.

**CARTER-HOFFMANN CORP.**

1551 McCormick Ave., Mundelein, IL 60060  
Tel (847) 362-5500 • (800) 323-9793 • Fax (847) 367-8981  
[www.carter-hoffmann.com](http://www.carter-hoffmann.com)



# SPECIFICATIONS