



BB1000 & BB1200 CONVERTIBLE BANQUET CARTERS for Pre-plated Banquet Meals, Trays and Pans

CARTER-HOFFMANN



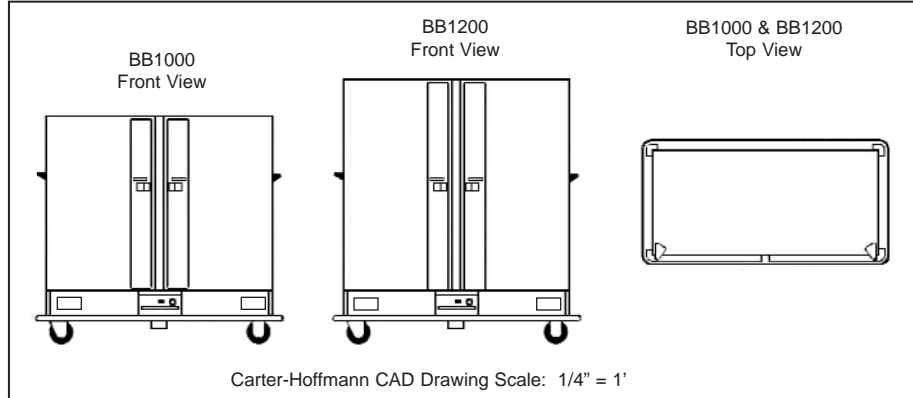
FOOD SERVICE EQUIPMENT
HEATED SERVERS

SPECIFICATIONS

Printed in U.S.A. B15 0811
Carter-Hoffmann is a trademark
of Carter-Hoffmann, LLC



BB1000



Carter-Hoffmann CAD Drawing Scale: 1/4" = 1'

Model Number	Capacity			Number of Shelves	Clearance Between Shelves in (mm)	Shelf Size in (mm)	Overall Dimensions			Caster Diameter		Shipping Weight				
	Plates* up to 12.75" dia.	**Slides for GN 2/1	**Slides for GN 1/1 12"x20"				Height in mm	Depth in mm	Width in mm	in	mm	lbs	kg			
<input type="checkbox"/> BB1000	96	13	26	6	14 ⁵ / ₁₆ (364)	27 ³ / ₄ x 22 (705 x 559)	59	1499	32 ¹ / ₂	826	64 ¹ / ₄	1632	6	152	575	261
<input type="checkbox"/> BB1200	120	17	34	6	17 ⁵ / ₈ (448)	27 ³ / ₄ x 22 (705 x 559)	70	1778	32 ¹ / ₂	826	64 ¹ / ₄	1632	6	152	646	294

* Plate capacity with or without optional carriers. Capacity depends on stacked height of plate with cover (see "Clearance Between Shelves"). Maximum cover diameter 12.75" (324mm). Carriers not available with BB1200.

** Optional tray slides may be used in lieu of shelves (see accessories/options)

CONSTRUCTION... Completely welded cabinet construction with outer cabinet formed and welded to base. All seams turned in to eliminate raw edges.

CABINET MATERIAL... All stainless steel construction; 20 gauge polished exterior and 24 gauge interior.

BASE FRAME... 12 gauge stainless steel full depth caster bolsters with 14 gauge stainless steel channels welded to bolsters.

CASTERS... 6" diameter, industrial grade caster with polyurethane tread. Sealed roller axle bearing and double ball bearing swivel. Plate mounted and bolted to base in offset "wheel ahead" pattern. Two casters fitted with brakes.

BUMPER... Non-marking gray vinyl bumper set in heavy-duty 3/16" thick extruded aluminum frame with reinforced corner cutouts.

INSULATION... 1" thick high density continuous wrap-around type fiberglass insulation in walls, door and top.

GASKET... High temperature silicone gasket mounted to cabinet.

DOOR... Welded double panel stainless steel door. Filled with 1" thick fiberglass insulation. Decorative red vinyl door stripe.

HINGES... Concealed stainless steel hinges with 5/16" pin.

PUSH HANDLES... Two horizontal 1" diameter stainless steel tubular handles bolted to cabinet.

LATCHES... Flush mounted heavy-duty sliding latch with exclusive grip handle.

SHELVES... Welded, duplex nickel-plated removable wire shelves.

OPTIONAL PAN/TRAY RACK ASSEMBLIES... Removable stainless steel tray rack assemblies for 12"x20" or GN 2/1 pans. One pair per door.

THERMOMETER... Dial type with remote sensing bulb and sensing bulb protector. Mounted to mullion.

CANNED FUEL DRAWERS... Two canned fuel drawers slide out for easy access. Each with latch for secure closure during transport.

HEATING SYSTEM... Bottom mounted heater. Stainless steel construction. Removable without tools. 1600 watt inconel-sheathed heating element. High impedance protected, internally cooled fan motor. Full range thermostat and power indicating light.

ELECTRICAL CHARACTERISTICS... Operates on 120 volts, 60 cycle, single phase, 1650 watts, 13.7 amps. Ten foot rubber cord with 3 prong grounding plug. NEMA 5-15P.

PERFORMANCE... Capable of heating to 200° F (94° C). Preheat to 160° F (71° C) in approximately 25 minutes.

ACCESSORIES/OPTIONS...

- Stainless steel tray racks for GN and 12"x20" pans
- Top mounted transport latch
- Locking paddle latch
- Menu card holder
- Lexan thermometer cover
- 4 wheel brakes
- Alternate caster sizes and types
- Alternate electrical configurations
- Passive humidity pan
- Cold plate
- Covered plate "C" carriers

Specifications subject to change through product improvement & innovation.



CARTER-HOFFMANN
1551 McCormick Ave., Mundelein, IL 60060
(847) 362-5500 • (800) 323-9793 • Fax (847) 367-8981
www.carter-hoffmann.com



FEATURES & BENEFITS

1551 McCormick Avenue, Mundelein, Illinois 60060
 Tel. (847)362-5500 • (800)323-9793 • Fax (847)367-8981
www.carter-hoffmann.com



BB1000 & BB1200 CONVERTIBLE BANQUET CARTERS

Since 1947, Foodservice Equipment That Delivers!



BB1000

COMPLETELY WELDED TURNED-IN SEAM CONSTRUCTION... Adds rigidity and strength to entire cabinet for long life and eliminates raw edges for ease of cleaning and safety.

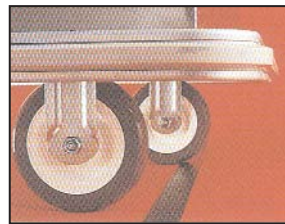
DOUBLE WALL STAINLESS STEEL CABINET... Strongest, most durable materials for long life. High density fiberglass for maximum heat retention.

DOUBLE DOOR ACCESS... For heat efficient loading and unloading.

HEAVY-DUTY STAINLESS STEEL BASE FRAME... 12 gauge caster bolsters with 1"x1" stainless steel perimeter frame for rugged use and added durability.

HEAVY-DUTY NON-MARKING BUMPER... Set in 3/16" thick extruded aluminum frame with reinforced corner cut-outs. Protects doorways, walls and cart from damage.

POLYURETHANE TREAD CASTERS WITH SEALED ROLLER BEARING...
 Long lasting and easy rolling for maximum load and minimum maintenance.



OFFSET "WHEEL AHEAD" PATTERN... Only one wheel can pass over uneven surfaces at a time for easy handling and steering.



FLUSH-MOUNTED SLIDING DOOR LATCH WITH GRIP HANDLE... Designed for transport applications. Door remains closed during transport. Flush design protects cart from damage.



CONCEALED STAINLESS STEEL HINGE WITH 5/16" PIN...
 Keeps doors properly aligned and withstands rugged use.



HIGH PERFORMANCE HEATER... Blower system for fast heat up, recovery and even heat distribution throughout cabinet. Unit is removable without tools for easy cleaning.



OPTIONAL STAINLESS STEEL TRAY SLIDES...
 cart is convertible, in minutes, to hold Gastronorm 1/1 or 12"x20"x2.5", or Gastronorm 2/1 pans (specify pan size when ordering)

