

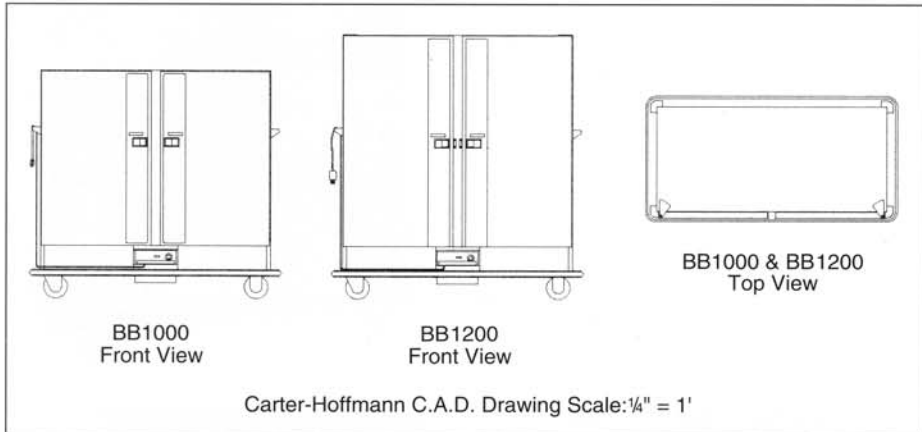


# BB1000 & BB1200 SPACE-SAVER CONVERTIBLE BANQUET CARTERS

heated carters for  
12 3/4" (305 mm) plate diameter



BB1200



BB1000  
Front View

BB1200  
Front View

BB1000 & BB1200  
Top View

Carter-Hoffmann C.A.D. Drawing Scale: 1/4" = 1"

Model Number	Capacities			Number of Shelves	Shelf Size	Clearance Between Shelves	Casters	Overall Dimensions			Shipping Weight
	Covered Plates up to 12 3/4" (305 mm) Dia.	Optional Tray Slides for Gastronorm 2/1 Pans**	Optional Slides for 12"x20" or Gastronorm 1/1 Pans**					High	Deep	Wide	
BB1000	96" with or without optional carriers	13 per door opening	26 per door opening	6 (3 per door)	27 3/4" x 22" (705 mm x 559 mm)	14 1/8" (364 mm)	6" dia. (152 mm) 2 swivel 2 rigid	59" (1499 mm)	32 1/2" (826 mm)	64 1/4" (1632 mm)	575 lbs. (261 kgs)
BB1200	120"	17 per door opening	34 per door opening	6 (3 per door)	27 3/4" x 22" (705 mm x 559 mm)	17 1/8" (448 mm)	6" dia. (152 mm) 2 swivel 2 rigid	70" (1778 mm)	32 1/2" (826 mm)	64 1/4" (1632 mm)	646 lbs (294 kgs)

\*Plate capacity depends on stacked height of plate cover (see "clearance between shelves"). Maximum cover Diameter 12 3/4" (324 mm).

Carriers not available on BB1200

\*\* Tray slides may be used in lieu of shelves (see "accessories/options").

**CONSTRUCTION...**Welded cabinet construction. Outer cabinet formed and welded to base. All seams turned in to eliminate raw edges.

**CABINET MATERIALS...**Nickel-bearing type 300 series stainless steel; 20 gauge polished exterior wall and 20 gauge interior.

**BASE FRAME...**12 gauge stainless steel full depth bolsters with 1" x 1" stainless steel perimeter channel supports.

**CASTERS...**6" diameter, institutional grade caster with polyurethane tread. Sealed roller bearing and double ball bearing swivel with Zerk grease fittings. Plate mounted and bolted to base in offset wheel ahead pattern. Two casters fitted with brake.

**BUMPER...**Non-marking gray vinyl bumper set in heavy duty 3/16" extruded aluminum frame with reinforced corner "cut outs."

**INSULATION...**1" thick, continuous wrap-around type fiberglass insulation in walls, top and door.

**DOORS...**Double panel welded stainless steel doors. Cavity filled with high density fiberglass insulation. Decorative vinyl feature stripe.

**GASKETS...**High temperature silicone gasket mounted to cabinet.

**LATCHES...**Flush mounted heavy duty sliding latch with exclusive grip handle.

**HINGES...**Concealed stainless steel hinge with 5/16" pin.

**HANDLES (two)...**Horizontal full width 1" diameter stainless steel tubular handles.

**SHELVES...**Welded chrome plated removable wire shelves.

**THERMOMETER...**Drum type with sensing bulb mounted on inside mullion.

**HEATING SYSTEM . . .**Bottom mounted heater. Stainless steel construction. Removable without tools. 1600 watt inconel-sheathed heating element. High impedance protected, internally cooled fan motor. Full range thermostat and power indicating light.

**ELECTRICAL CHARACTERISTICS . . .**Operates on 120 volts, 60 cycle, single phase, 1650 watts, 13.7 amps. Ten foot rubber cord with 3 prong grounding plug. NEMA 5-15P.

**PERFORMANCE . . .**Capable of heating to 200° F. Preheat to 160°F (71°C) in Approximately 25 minutes.

**ACCESSORIES/OPTIONS . . .**

- Stainless Steel Tray Slide Racks for Gastronorm and 12" x 20" Pans
- Covered Plate "C" Carriers
- Top Mount Transport Latch
- Locking Paddle Latch
- Menu Card Holder
- Lexan Thermometer Cover
- Retractable Cord Reel
- Semi-Pneumatic Caster
- Alternate Electrical Configurations



Specifications subject to change through product improvement & innovation.

**CARTER-HOFFMANN CORP.**

1551 McCormick Ave., Mundelein, IL 60060

Tel (847) 362-5500 • (800) 323-9793 • Fax (847) 367-8981

[www.carter-hoffmann.com](http://www.carter-hoffmann.com)