

# LOGIX6 Series HUMIDIFIED HOLDING CABINETS OWNERS / OPERATORS MANUAL



MANUFACTURED BY:

**CARTER-HOFFMANN**  
1551 McCormick Avenue  
Mundelein, IL 60060 U.S.A.

Phone: 847-362-5500  
Fax: 847-367-8981  
Toll Free: 800-323-9793  
Email: Service@Carter-Hoffmann.com



**HWU14J1XM-D**  
with optional Dutch doors

- MODELS:  
LOGIX6 HEATED  
CABINETS  
(insulated)**
- HWU5J1XM
  - HWU8J1XM
  - HWU14J1XM
  - HWU18J1XM
  - HWC10J1XM
  - HWC16J1XM
  - HWC28J1XM
  - HWC36J1XM

## TABLE OF CONTENTS

SAFETY PRECAUTIONS.....	2
FEATURES & SPECIFICATIONS.....	3
UNPACKING, INSPECTION & FREIGHT DAMAGE.....	4
INSTALLATION & STARTUP .....	5
CONTROL PANEL LAYOUT.....	6
NORMAL OPERATION.....	7-8
FOOD HOLDING GUIDE.....	9
REGULAR CLEANING PROCEDURES.....	10
CABINET MAINTENANCE.....	11
WIRING DIAGRAM.....	12
REPLACEMENT PARTS.....	13
TROUBLESHOOTING GUIDE .....	14
WARRANTY STATEMENT.....	15

## SAFETY PRECAUTIONS



### WARNING: ELECTRIC SHOCK HAZARD

All service requiring access to non-insulated components must be performed by qualified service personnel. Failure to heed this warning may result in severe electric shock.



### CAUTION: ELECTRIC SHOCK HAZARD

Disconnect this appliance from electrical power before performing any maintenance or service.



### CAUTION: BURN HAZARD

Exposed metal surfaces can be hot to the touch and may cause burns.



### CAUTION: STEAM HAZARD

This cabinet produces steam and may cause burns. Use caution when opening the doors for escaping steam.

## IMPORTANT SAFETY INSTRUCTIONS

When using electrical appliances basic safety precautions should be adhered to, including the following:

- 1) Be familiar with the appliance use, limitations and associated restrictions. Operating instructions must be read and understood by all persons using or installing this appliance.
- 2) This appliance must be grounded. Connect only to properly grounded outlet.
- 3) Use this appliance only for its intended purpose as described in the manual.
  - a. This equipment is specifically designed to hold pre-cooked food at temperature.
  - b. This equipment is intended for use in commercial establishments only.
  - c. This equipment is not designed for industrial or laboratory use.
- 4) Cleanliness of this appliance and its accessories is essential to good sanitation.
- 5) DO NOT submerge this appliance in water. This appliance is not jet stream approved. DO NOT direct water jet or steam jet at this appliance, or at any control panel or wiring. DO NOT splash or pour water on, in or over any controls, control panel or wiring. DO NOT use corrosive chemicals or vapors in this appliance.
- 6) DO NOT store this appliance outdoors. DO NOT use this product near water – for example, near a kitchen sink, in a wet basement, or near a swimming pool, and the like.
- 7) DO NOT operate this appliance if it has a damaged cord or plug, if it is not working properly, or if it has been damaged or dropped. Do not immerse cord or plug in water, keep cord away from heated surfaces, and do not let cord hang over edge of table or counter.
- 8) DO NOT cover or block any openings on the appliance.
- 9) **Only qualified service personnel should service this appliance.**

**NOTE:** The technical content of this manual, including any wiring diagrams, schematics, parts breakdown illustrations and/or adjustment procedures, is **intended for use by qualified technical personnel** and is subject to change without notice.

## FEATURES & SPECIFICATIONS



Condensation drip trough

- Precision-engineered heat ducts with blower for even heat and humidity.
- 90% humidity attainable at high temperatures. Temperature range of 85°F - 200°F.
- Simple dial controls for heat and humidity. Easy color match to set proper temperature and humidity. Dial temperature readout.
- Can be operated with or without humidity.
- Low water indicator light.
- Under-counter, 1/2-size, 3/4 size and full size cabinets.
- All swivel heavy-duty casters, front casters fitted with brakes.
- Solid insulated aluminum doors are standard, optional clear doors — field reversible.
- Top-mounted enclosed water reservoir cannot be contaminated by food debris.
- Off-the-shelf standard size pan is easy to clean and inexpensive to replace.
- Insulated lightweight aluminum construction with top mounted heat & humidity system and controls



Off-the-shelf standard size pan is easy to clean and inexpensive to replace.

### Cabinets with Adjustable Universal Slides for 12"x20" Pans, 18" x 26" Trays and Gastronorm Pans

Model Number	Pan/Tray Capacity Adjustable spacing from 1.5" to 3" centers 12"x20" 18"x26"	Slide Pairs Provided	Inside Working Height in (mm)	Overall Dimensions Height Depth Width in (mm)	Caster Diameter in (mm)	Class 100 Shipping Weight lbs (kg)
HWU5J1XM (under-counter)	10 5	5	15-5/16 (389)	33-1/2 (851) 33-1/16 (840) 28 3/16 (716)	3 (76)	271 (123)
HWU8J1XM (1/2 size)	16 8	8	24-15/16 (633)	45-1/2 (1156) 33-1/16 (840) 28 3/16 (716)	5 (127)	322 (146)
HWU14J1XM (3/4 size)	28 14	14	42-1/2 (1080)	64-3/8 (1635) 33-1/16 (840) 28 3/16 (716)	5 (127)	423 (192)
HWU18J1XM (full size)	36 18	18	54-1/2 (1384)	76-3/8 (1940) 33-1/16 (840) 28 3/16 (716)	5 (127)	495 (225)

### Cabinets with Fixed Angle Slides for 18" x 26" Trays

Model Number	Pan/Tray Capacity 18"x26" Fixed spacing @ 1.5" centers	Slide Pairs Provided	Inside Working Height in (mm)	Overall Dimensions Height Depth Width in (mm)	Caster Diameter in (mm)	Class 100 Shipping Weight lbs (kg)
HWC10J1XM (under-counter)	10	10	15-5/16 (389)	33-1/2 (851) 33-1/16 (840) 28 3/16 (716)	3 (76)	251 (114)
HWC16J1XM (1/2 size)	16	16	24-15/16 (633)	45-1/2 (1156) 33-1/16 (840) 28 3/16 (716)	5 (127)	302 (137)
HWC28J1XM (3/4 size)	28	28	42-1/2 (1080)	64-3/8 (1635) 33-1/16 (840) 28 3/16 (716)	5 (127)	403 (188)
HWC36J1XM (full size)	36	36	54-1/2 (1384)	76-3/8 (1940) 33-1/16 (840) 28 3/16 (716)	5 (127)	475 (215)

#### APPROVALS :



All models except HWU5S1XM and HWU10S1XM

#### MODELS

HWU14  
HWU18  
HWU8  
HWU5  
HWC36  
HWC28  
HWC16  
HWC10

#### Electrical Information NEMA Plug Type

2100 Watts  
120 volts  
17.5 Amps  
60 Hz  
Single Phase

NEMA 5-20P



## UNPACKING AND INSPECTION



This appliance should be thoroughly cleaned prior to use.

See the **CLEANING INSTRUCTIONS** in this manual.

**NOTE: DO NOT** discard the carton or other packing materials until you have inspected the appliance for hidden damage and checked it for proper operation.

Refer to **SHIPPING DAMAGE CLAIM PROCEDURE** on bottom of this page.

1. Remove the cabinet from shipping carton, ensuring that all packing materials and protective plastic have been removed from the unit.
2. Inspect all components for completeness and condition.
  - tray racks: Qty 2—one on each side of the cabinet. HWC cabinets will have angle slides welded to the tray racks. HWU cabinets will include a separate box of universal tray slides, located on the bottom of the cabinet
  - condensation drip trough
  - amber plastic water reservoir
3. If any freight damage is present, a freight claim must be filed immediately with the shipping company.
4. **Freight damage is not covered under warranty.**
5. Check to insure all components are included: cabinet, instruction packet and additional accessories: amber water reservoir, stainless steel water trough.
6. Read operation instructions completely.
7. Appliance should be thoroughly cleaned before use. See **CLEANING INSTRUCTIONS** in this manual.

### FREIGHT DAMAGE PROCEDURE

**NOTE:** For your protection, please note that equipment in this shipment was carefully inspected and packaged by skilled personnel before leaving the factory. Upon acceptance of this shipment, the transportation company assumes full responsibility for its safe delivery.

#### IF SHIPMENT ARRIVES DAMAGED:

1. **VISIBLE LOSS OR DAMAGE:** Be certain that any visible loss or damage is noted on the freight bill or express receipt, and that the note of loss or damage is signed by the delivery person.
2. **FILE CLAIM FOR DAMAGE IMMEDIATELY:** Regardless of the extent of damage. **Contact your dealer immediately.**
3. **CONCEALED DAMAGE:** If damage is unnoticed until the merchandise is unpacked, notify the transportation company or carrier immediately, and then file a “CONCEALED DAMAGE” claim with them. This should be done within fifteen (15) days from the date the delivery was made to you. **Be sure to retain the container for inspection.**

Carter-Hoffmann cannot assume liability for damage or loss incurred in transit, **freight damage is not covered under warranty.** We will, however, at your request, supply you with the necessary documents to support your claim.

### GROUNDING INSTRUCTIONS

This appliance is equipped with a cord having a grounding wire with a grounding plug which must be plugged into an outlet that is properly installed and grounded. In the event of an electrical short circuit, grounding reduces the risk of electric shock by providing an escape wire for the electric current.

**WARNING—Improper use of the grounding can result in a risk of electric shock.** Consult a qualified electrician or service agent if the grounding instructions are not completely understood, or if doubt exists as to whether the appliance is properly grounded.

## INSTALLATION and STARTUP



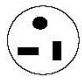
### **WARNING:** Risk of personal injury

Installation procedures must be performed by a qualified technician with full knowledge of all applicable electrical codes. Failure could result in personal injury and property damage.



### **IMPORTANT:** Not under warranty

Damage to unit due to being connected to the wrong voltage or phase is **NOT** covered by warranty. If necessary, contact a licensed electrician to install an appropriate 20 amp electrical circuit with correct NEMA receptacle. Power cord is 10' long. **DO NOT use an extension cord.**

Electrical Information NEMA Plug Type	
2100 Watts	NEMA 5-20P 
120 volts	
17.5 Amps	
60 Hz Single Phase	



### **CAUTION:** Electrical Shock Hazard

The ground prong of the power cord is part of a system designed to protect you from electric shock in the event of internal damage.

DO NOT cut off the large round ground prong or twist a blade to fit an existing receptacle.



### **WARNING:** Risk of personal injury

Unit is not waterproof, to avoid electrical shock, keep unit and counter from being submerged in water. Do not operate if unit has been in contact with water.

### **LOCATION**

For proper operation and maximum performance, locate the unit in an ambient air temperature of 70°F (21°C).

Avoid placement in areas near exhaust fans or where there are active air movements.

For safe operation and maximum performance, locate the unit at least 2" from any wall or combustible material.

Unit must be on a solid level surface.

### **STARTUP**

1. Prior to use, thoroughly clean the interior of the unit and the water reservoir, per the instructions in this manual.
2. Install water trough at base of door. Keyhole cutouts will fit over bolts at base of door. Slide trough until the ends are flush with the edges of the door.



Keyhole cutouts—fit over shoulder bolts located at the base of the door.

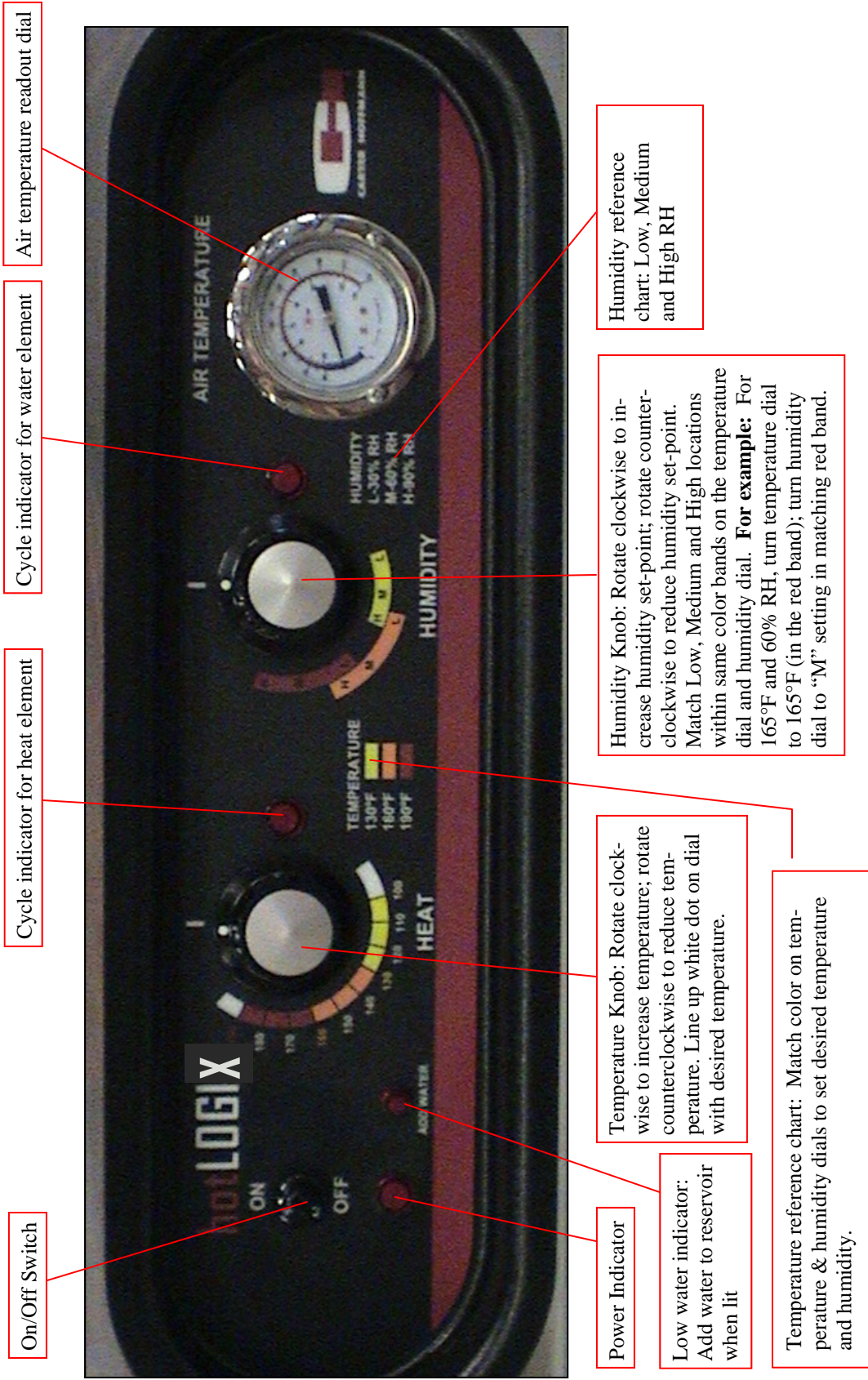
3. If the cabinet is an HWU, install the universal pan slides in each tray rack located at each side of the cabinet. Standard spacing is every other slot (3" apart). Begin with the lowest slot at the bottom of the cabinet and work your way up. Hold the slide at an angle and line up the tabs at either end with the slots in the tray rack. Slide the tabs into the slots, then tilt the slide down so that it is level.

4. Install water reservoir by pulling out the metal frame at the upper left front of the cabinet interior in front of the element. Slide pan up and then forward so that it hangs from inside the metal frame; make sure the element is inside the pan. Push entire assembly back into the cabinet.



5. Plug the power cord of the cabinet into a grounded outlet with a minimum 20 Amp 120VAC, 60HZ, single phase electrical service.
6. Set POWER switch to the "ON" position.
7. Set temperature dial to 190°F. Do not fill humidity pan. Set humidity dial to off (line up white dot on dial with white hash mark, located at top of dial on control panel)
8. Do not load product into the cabinet. Allow the heat to remove any residual oils which may adhere to inside metal surfaces. A slight emission of smoke is common during the first few hours of operation.

# Control panel layout



On/Off Switch

Cycle indicator for heat element

Cycle indicator for water element

Air temperature readout dial

Power Indicator

Low water indicator:  
Add water to reservoir when lit

Temperature reference chart: Match color on temperature & humidity dials to set desired temperature and humidity.

Temperature Knob: Rotate clockwise to increase temperature; rotate counterclockwise to reduce temperature. Line up white dot on dial with desired temperature.

Humidity Knob: Rotate clockwise to increase humidity set-point; rotate counterclockwise to reduce humidity set-point. Match Low, Medium and High locations within same color bands on the temperature dial and humidity dial. **For example:** For 165°F and 60% RH, turn temperature dial to 165°F (in the red band); turn humidity dial to "M" setting in matching red band.

Humidity reference chart: Low, Medium and High RH

## NORMAL OPERATION



### CAUTION: HOT SURFACE

Inner surfaces of the unit will be very hot during and after operation.

Avoid touching the cabinet when loading or removing product.

### Operating ranges:

- air temp: 85°F-200°F
- humidity: OFF-90%



### CAUTION: STEAM HAZARD

This unit produces steam, use caution when cleaning or opening the doors.



### CAUTION: WATER HAZARD

A water trough is located at the base of the door to collect condensation. Make sure to periodically check and empty it regularly to avoid overflow. The trough can be removed and emptied by simply sliding it off the bolts at the base of the door.



The Logix6 Series Humidified Holding Cabinet is equipped with two dials to control the temperature and humidity settings. Before using, familiarize yourself with the cabinet controls. See detail on page six of this manual.

This holding cabinet is equipped with an active air flow and humidity system. Warm air flows over the water that is heated by an element in the reservoir and is distributed via ducts on the sides of the cabinet. As the cabinet maintains the desired humidity level, water will be used from the reservoir. When the water level drops below the low level probe, the low water light will illuminate. To maintain desired humidity, replenish water supply in reservoir at this time.

### HOLDING

1. Fill water reservoir with **WARM WATER** if humidity is desired (cabinet may also be operated without humidity). Watch water level in amber water pan. Do not overfill. Approximate capacity:  
HWU5, HWU8, HWC10 & HWC16: one gallon  
HWU14, HWU18, HWC28 & HWC36: two gallons
2. Turn cabinet on and set temperature and humidity dials to desired settings (see chart on page 8). Allow cabinet to preheat for 45 minutes.
3. Load cabinet with pans or trays. Load from top to bottom for best results.
4. When removing items, start at the bottom and work to the top. This keeps food hotter and eliminates spillage onto lower items.

*For safety reasons, we recommend that the holding temperature be set at or above 140°F.*

### PROOFING

1. Fill water reservoir with **WARM WATER**. Watch water level in amber water pan. Do not overfill. Approximate capacity:  
HWU5, HWU8, HWC10 & HWC16: one gallon  
HWU14, HWU18, HWC28 & HWC36: two gallons
2. Turn cabinet on. Set temperature dial to lowest setting and humidity to 90% (H, Yellow Zone). Allow cabinet to preheat for 45 minutes.
3. Load cabinet with pans or trays.
4. Proof according to your recipe instructions.
5. When removing items, start at the bottom and work to the top. This keeps food hotter and eliminates spillage onto lower items.

Water reservoir located at top left of cabinet interior.

To fill, pull out metal frame with pan. IF CABINET IS HOT, USE OVEN MITTS AND PROCEED WITH CAUTION—FRAME AND WATER WILL BE HOT.

To remove, pull out metal frame. DO NOT REMOVE IF CABINET OR WATER IS HOT. ALLOW CABINET TO COOL COMPLETELY. While holding metal frame, slide pan to rear and then lower to clear the frame. To install, reverse procedure.

## NORMAL OPERATION (CONT.)



### CAUTION: HOT SURFACE

Inner surfaces of the unit will be very hot during and after operation.

Avoid touching the cabinet when loading or removing product.

### Operating ranges:

- air temp: 85°F-200°F
- humidity: OFF-90%



### CAUTION: STEAM HAZARD

This unit produces steam, use caution when cleaning or opening the doors.



### CAUTION: WATER HAZARD

A water trough is located at the base of the door to collect condensation. Make sure to periodically check and empty it regularly to avoid overflow. The trough can be removed and emptied by simply sliding it off the bolts at the base of the door.



## RELATIVE HUMIDITY LEVELS FOR DIAL SETTINGS

The chart below indicates the settings for temperature and humidity. The key is to match the Low (L), Medium (M) and High (H) relative humidity levels in each color band on the humidity dial with the corresponding color band at your desired temperature setting.



**Example:** For 150°F and 30% RH, set dials as indicated by the green arrows.

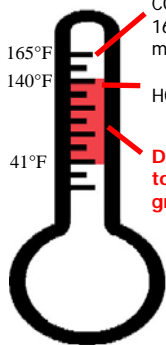
Humidity Setting			
Temperature Setting	Low	Medium	High
100°F to 130°F	Yellow Zone L = 30%	Yellow Zone M = 60%	Yellow Zone H = 90%
130°F to 160°F	Orange Zone L = 30%	Orange Zone M = 60%	Orange Zone H = 90%
160°F to 200°F	Red Zone L = 30%	Red Zone M = 60%	Red Zone H = 90%
<b>Proofing</b> Set at Lowest Temp in White Zone	N/A	N/A	Yellow Zone H = 90%

## FOOD HOLDING GUIDE



**CAUTION: SAFE FOOD HOLDING PRACTICES RECOMMENDED**

Cooking food to a safe temperature, holding at a temperature of at least 140°F is critical in the prevention of foodborne illness. Hold only cooked, hot food at 140°F or higher. This cabinet is not intended to cook or re-heat food. Food must be at appropriate temperature before being placed into cabinet.



COOK TO AT LEAST 165°F Destruction of most bacteria

HOLD at 140°F or higher

**DANGER ZONE: 41°F to 140°F Bacteria grow rapidly**

NOTE: Times and temperatures observed in a test kitchen environment. Times and temperatures may vary, depending on initial food quality, initial cooked temperature and user expectations of acceptable food quality.

PRODUCT (Uncovered Food, except where noted)	SET TEMPERATURE (°F / °C)	RELATIVE HUMIDITY %	MAXIMUM TIME (MINUTES)
Bacon, Canadian	180°F / 82°C	50%	30
Bacon, Crisp	180°F / 82°C	NONE REQUIRED	30
Baked Potato	180°F / 82°C	60%	60
Biscuits	170°F / 77°C	20%	60
Casseroles (Covered)	175°F / 79°C	NONE REQUIRED	90
Chops, Sliced Meats	160°F / 71°C	45%	60
Chicken, Fried	170°F / 77°C	NONE REQUIRED	30
Chicken, Boneless Breasts	175°F / 79°C	75%	60
Chicken Nuggets, Deep Fried	190°F / 88°C	NONE REQUIRED	25
Chicken, Pre-Cooked Grilled Boneless Patties	150°F / 66°C	55%	90
Coffee Cakes	170°F / 77°C	MINIMAL	60
Cookies	175°F / 79°C	NONE REQUIRED	90
Crab Legs	160°F / 71°C	80%	45
Croissants	170°F / 77°C	30%	45
Eggs	160°F / 71°C	90%	45
Fish, Deep-Fried	170°F / 77°C	NONE REQUIRED	30
Fish, Baked	155°F / 68°C	80%	45
Fish, Broiled	155°F / 68°C	70%	45
French Toast	165°F / 74°C	30%	60
Gravies / Sauces	170°F / 77°C	85%	45
Hamburgers / Ground Meat Patties	180°F / 82°C	55%	45
Hot Dogs	180°F / 82°C	70%	90
Muffins	170°F / 77°C	20%	60
Omelets	160°F / 71°C	90%	30
Pancakes	180°F / 82°C	60%	30
Pasta	175°F / 79°C	75%	60
Pastries	165°F / 74°C	20%	30
Pizza (uncovered)	180°F / 82°C	10%	30
Pizza (boxed)	180°F / 82°C	NONE REQUIRED	60
Poppers, Deep Fried	190°F / 88°C	NONE REQUIRED	25
Poultry, Whole, bone-in	175°F / 79°C	55%	60
Poultry, Cut-up, bone-in	175°F / 79°C	75%	60
Ribs	175°F / 79°C	60%	90
Rice	175°F / 79°C	70%	30
Roasts / Bone-in Meats	165°F / 74°C	60%	90
Sausage	180°F / 82°C	50%	90
Shrimp / Shellfish	150°F / 66°C	80%	60
Soups (broth)	185°F / 85°C	NONE REQUIRED	90
Tortillas (soft)	180°F / 82°C	70%	60
Vegetables	175°F / 79°C	70%	45

## DAILY CLEANING PROCEDURES



### CAUTION: ELECTRIC SHOCK HAZARD

Disconnect appliance from electric power before cleaning.



### CAUTION: HOT SURFACE

Exposed surfaces can be hot to the touch and may cause burns. Allow appliance to cool before cleaning.



### IMPORTANT:

DO NOT spill or pour water into controls, control panel or wiring. Water damage is **not** covered by warranty.



### CAUTION:

Beware of sharp edges with sheet metal during cleaning process.



Water reservoir



Water drip pan

1. After all food products have been removed from the cabinet, turn the power switch to "OFF" and allow the cabinet to cool completely.
2. Unplug the unit prior to any cleaning.
3. Remove and clean the water pan from the inside top of the cabinet. Caution, water may still be hot from prior use. A vinegar & water solution may be used to remove stubborn mineral deposits. Remove and clean the water drip pan mounted to the bottom of the door.
4. Remove the side heat duct and rack assemblies. Clean the inside of the unit as well as the removed parts. Reinstall when all parts are dry and clean.
5. Inspect and clean the areas where there are vents or filters, making sure no water gets into the internal controls or electrical areas of the cabinet.
6. Clean the inside of the cabinet as well as the removed parts. Reinstall when all parts are dry and clean.
7. On aluminum surfaces, a solution of two tablespoons of baking soda per quart of warm water is sufficient for most cleaning jobs. Mild soap or detergent may be used on heavily soiled interiors—follow manufacturer's directions. Rinse with clean, damp cloth.
8. If cabinet has a clear glass door, clean with window cleaner, taking care not to get any of the solution on the aluminum cabinet walls. Stubborn deposits may be cleaned with a mild soap and water and then rinsed with clean water. Use a soft, non-abrasive cloth to avoid scratching the door.
9. Control panel should be washed with a clean, damp, non-abrasive cloth and chlorine-free detergent. Rinse thoroughly with clean damp cloth and allow to dry. Do not use abrasive cleaners, waxes, car polish, or substances containing strong aromatic solvents or alcohol. If the control knob(s) need to be removed for cleaning, simply pull the knob out, clean the control panel and knob, and then replace the knob.



### CAUTION:

Do not use strong detergents, alkalis, ammonia solutions or abrasive cleaners. Use only cleaning agents approved for aluminum and only in the recommended manufacturer's concentration. Do not use steel wool pads—ferrous deposits will cause rusting.

Use of cleaning agents that are not recommended for aluminum may cause permanent damage to the cabinet. **THIS DAMAGE IS PERMANENT, COSTLY TO REPAIR AND IS NOT COVERED BY THE WARRANTY.**

## CABINET MAINTENANCE



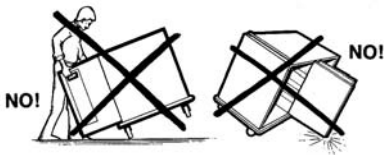
### WARNING:

DO NOT perform these procedures while the cabinet is turned on or heated. Turn off the power and wait for the cabinet to cool to room temperature.



### CAUTION:

Do not move cabinet unless door is securely closed. Serious damage to hinges and door may result if bumped into tables, walls, or other equipment when the doors are open.



### CASTERS

Caster bearings are equipped with Zerk grease fittings so that they may be easily lubricated with a grease gun. Lubricate bearings at least once every six months.

### REPLACING THE DOOR GASKET

1. Remove the screws located under the gasket on the cabinet.
2. Remove the gasket and discard.
3. Install the new gasket and replace the screws.

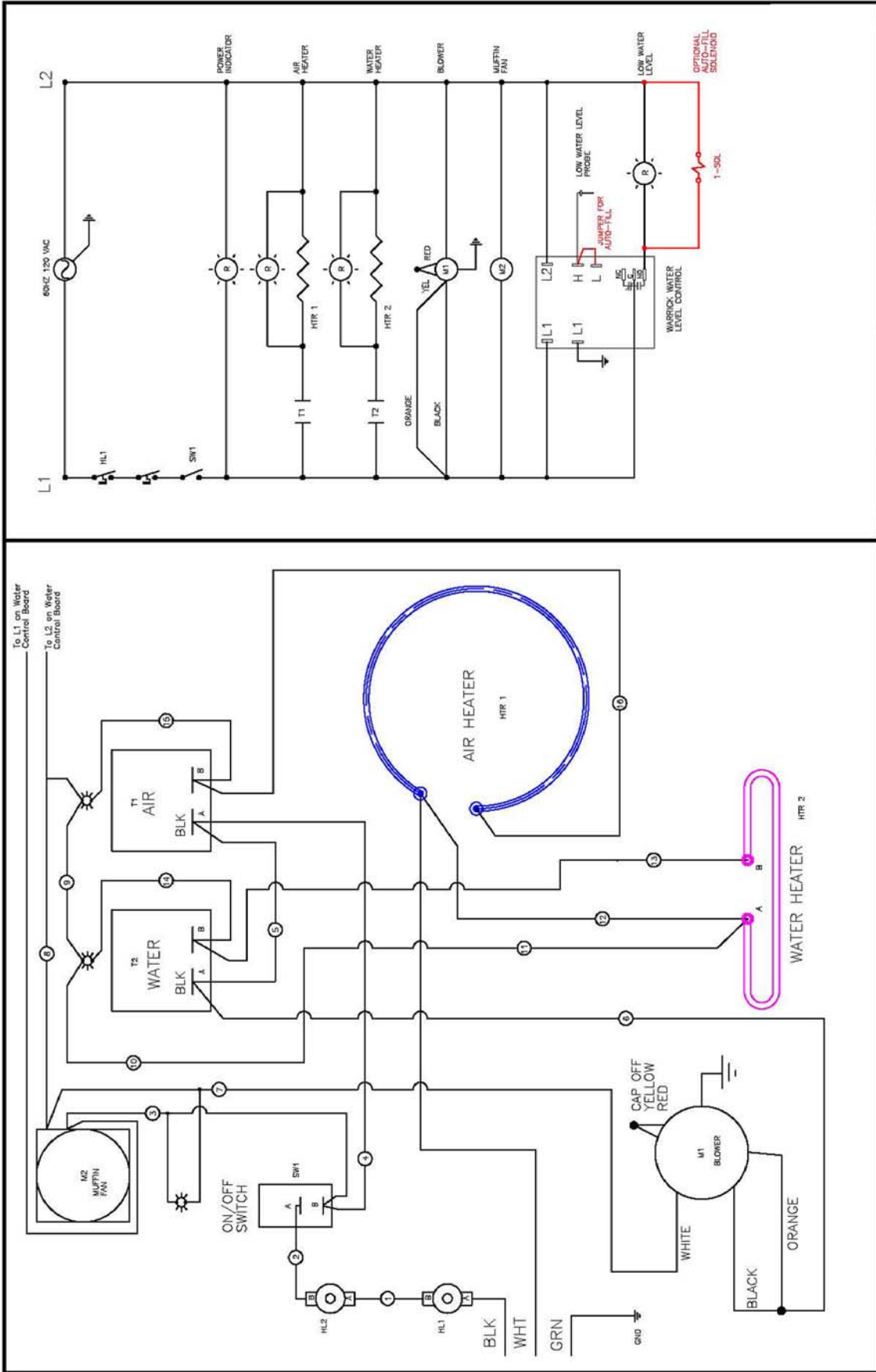
### REVERSING THE DOOR

Reversing the door takes about 30 minutes & requires two people.

1. Using a small screwdriver, pry off the hinge covers and set aside. Removing the covers will allow access to the inside hinge screws. Remove the three screws that hold each hinge to the cabinet. **DO NOT REMOVE THE SCREWS THAT HOLD THE HINGES TO THE DOOR.** Remove the door, taking care not to let it fall.
2. Remove the door strike plate and screws adjacent to the door opening on the cabinet. Reinstall door strike plate and screws on opposite side of the cabinet.
3. Screw hinges onto opposite side of the door.
4. With the help of another person, hold door up to the cabinet and attach with the screws removed in step one. Before tightening the screws, be sure the door is flush, level and square. Replace the hinge covers.

# WIRING DIAGRAMS

**Logix6 SERIES WITH ANALOG CONTROL**  
**120 VOLT, 2100 WATT, 17.5 AMP, 1 PH, 60 HZ**



## REPLACEMENT PARTS



Use only (OEM) original equipment manufacturer replacement parts. Using unauthorized parts may cause serious injury. Replacement parts should be installed by a qualified service technician.

---

Contact factory with your model and serial number for replacement parts.

Part Number	Description
18600-0046	Hi limit—open at 300°F, close at 250°F
18602-0083	On/Off switch 20 Amp
18602-0031	Switch boot
18605-5025	Power cord
18606-0221	5-20P plug
18617-0011	Cord grip
Verify w/ factory	Heat element 1000 watt (water reservoir)
18612-0315	Heat element 1000 watt (air)
18614-0291	Fan motor
18614-0314	Muffin fan
18603-5018	Fan blade (for motor 18614-0291)
29034-0282	Silicone sponge seal
29044-0017	Silicone grease
Verify w/ factory	Door gasket
16001-1688	Drip pan assembly
18600-0017	Thermostat
18616-0014	Dial thermometer
18601-1170	Red low water light
18601-1171	Red power indicator light
18314-0108	Amber water reservoir: 4" deep
18314-0104	Amber water reservoir: 2" deep

## TROUBLESHOOTING GUIDE

SYMPTOM	POSSIBLE CAUSE	SUGGESTED REMEDY
No power on display	Not plugged in or circuit breaker tripped	Check or reset circuit breaker Connect to proper receptacle
	Power cord damaged	Check - replace if required
	Power switch damaged or defective	Check - replace if required
Food dries out too quickly	Operation where product temp is too high	Check product temps going into holding cabinet
	Control incorrectly set or defective	Check proper operation or calibration of control
Unit is on, motors are running but no heat	Internal wiring error	Call service technician
	Element hi-limit trip / defective	Call service technician
Takes too long to get to temperature	Improper voltage	Call service technician to verify incoming voltage matches cabinet specifications.
Unit is hot but low or no airflow	Internal wiring error	Call service technician
	Circulation motor has quit	Call service technician
	Improper voltage	Call service technician to verify incoming voltage matches cabinet specifications.

**NOTE:**

The technical content of this manual, including any wiring diagrams, schematics, parts breakdown illustrations and / or adjustment procedures, is **intended for use ONLY by qualified technical personnel.**

**NOTE:**

For warranty service, call Carter-Hoffmann direct at 800-323-9793 for authorization, we will dispatch the nearest authorized service agency.

### 3-YEAR WARRANTY on HOTLOGIX HOLDING CABINETS

#### ***Carter-Hoffmann Warranty:***

*Carter-Hoffmann ("CARTER-HOFFMANN") warrants to the initial purchaser of its standard Carter Line Products that CARTER-HOFFMANN will, at its option, repair or replace, during the warranty period set forth below, any part of such products made necessary due to a defect in material or workmanship which is present when the product leaves its factory and which manifests itself during the warranty period under normal use and service.*

*This warranty applies only to original equipment owned and possessed by the initial purchaser and the warranty period begins on the date of original shipment from the CARTER-HOFFMANN factory and extends as follows: **to component parts and labor for 12 months (36 months on hotLOGIX holding cabinets and cook & hold cabinets); to refrigeration compressor unit for one year (limited to replacement only - not to include labor for removal, repair or replacement).***

*Repair or replacements under this warranty will be performed, unless otherwise authorized in writing by CARTER-HOFFMANN, at its factory. All parts or components to be repaired or replaced under this warranty are to be shipped prepaid to CARTER-HOFFMANN, with reimbursement credit for such part or component to be given if found by CARTER-HOFFMANN to be defective.*

*CARTER-HOFFMANN neither makes nor assumes and does not authorize any other person to make or assume any obligation or liability in connection with its products other than that covered in this warranty. This warranty applies only within the continental United States and Canada. In Alaska and Hawaii, this warranty applies only to and is limited to the supply of replacement parts.*

#### ***Warranty Exclusions and Limitations:***

*Any implied warranty of merchantability or fitness for a particular purpose is hereby specifically disclaimed by CARTER-HOFFMANN. There are no warranties, expressed or implied, which extend beyond the description on the face hereof. This warranty does not cover and CARTER-HOFFMANN shall not under any circumstances be liable for any incidental, consequential or other damages (such as injury to persons or property, loss of time, inconvenience, loss of business or profits, or other matters not specifically covered) arising in connection with the use of, inability to use, or failure of these products.*

***Specifications subject to change through product improvement and innovation.***

#### ***Carter-Hoffmann***

**1551 McCormick Ave.**

**Mundelein, Illinois, 60060 USA**

**Phone: 847-362-5500 Toll free: 800-323-9793 Fax: 847-367-8981**

**Sales and Marketing E-mail: [sales@carter-hoffmann.com](mailto:sales@carter-hoffmann.com)**

**Service E-mail: [service@carter-hoffmann.com](mailto:service@carter-hoffmann.com)**

**Company Website: [www.carter-hoffmann.com](http://www.carter-hoffmann.com)**



**Proud Member**

